

## MODEL #Y-14 ISABELLA COLLECTION

### 53" DOUBLE VANITY

#### FEATURES:

- **BASE MATERIAL:** 100% Made of FSC certified select ash wood
- **FINISH:** Coated with an eco-friendly multi-layered varnish low in VOCs for advanced protection against water, stain and mildew
- **OTHER MATERIALS:** Polished stainless steel details
- **DRAWERS:** 2 Full extension push-to-open drawers using Hettich™ hardware and 2 top decorative drawers. Fully finished interiors to match exterior
- **COUNTERTOP:** 1<sup>1/2"</sup> Double edge marble countertop pre-drilled for two single hole faucet installations
- **FAUCET:** Not included
- **SINK:** 2 Large oval undermount ceramic sinks with overflow
- **MOUNTING:** Wall mount installation

### 54" MIRROR

#### FEATURES:

- **BASE MATERIAL:** Beveled edged mirror and 100% FSC certified select ash wood frame carved to include built-in ledge
- **FINISH:** Frame coated with an eco-friendly multi-layered varnish low in VOCs for advanced protection against water, stain and mildew

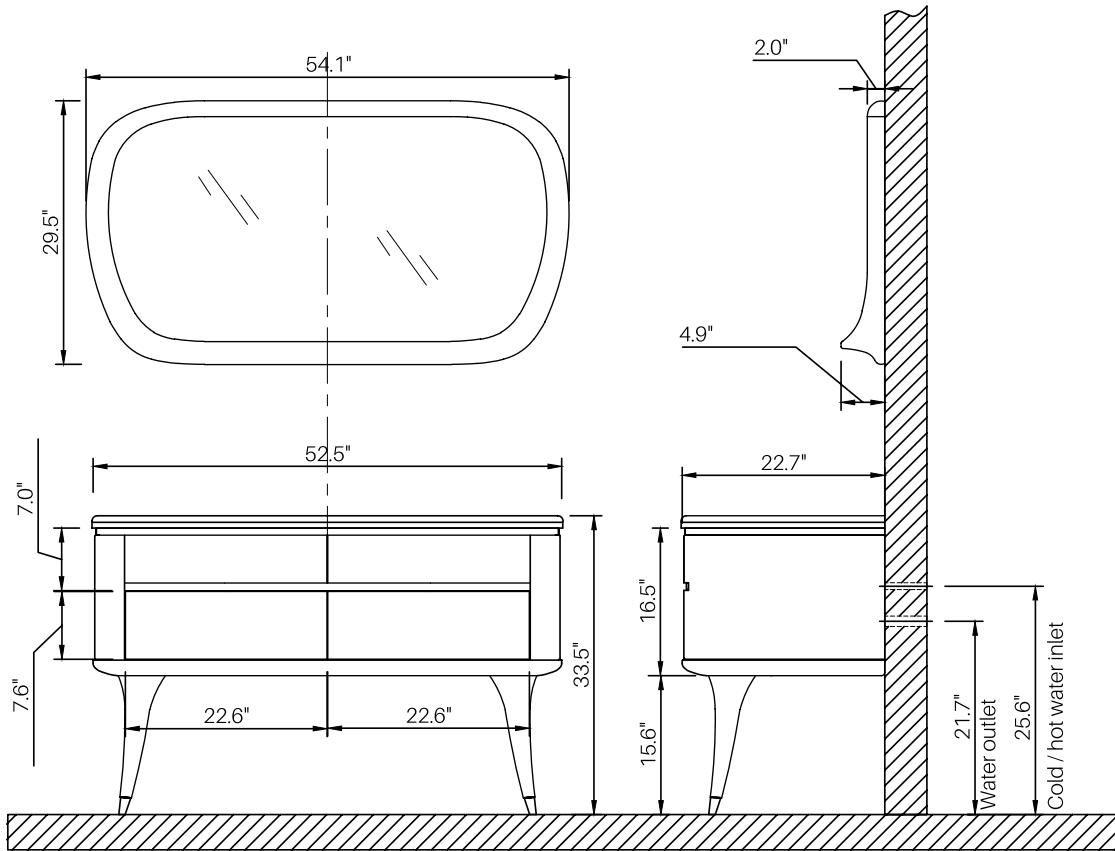
**WARRANTY:** Two year residential limited warranty to original purchaser. See [godibathroom.com](http://godibathroom.com) for detailed warranty information.

**INSTALLATION NOTES:** Professional installation required according to our installation guide and your local federal, provincial, state and local building codes and regulations.

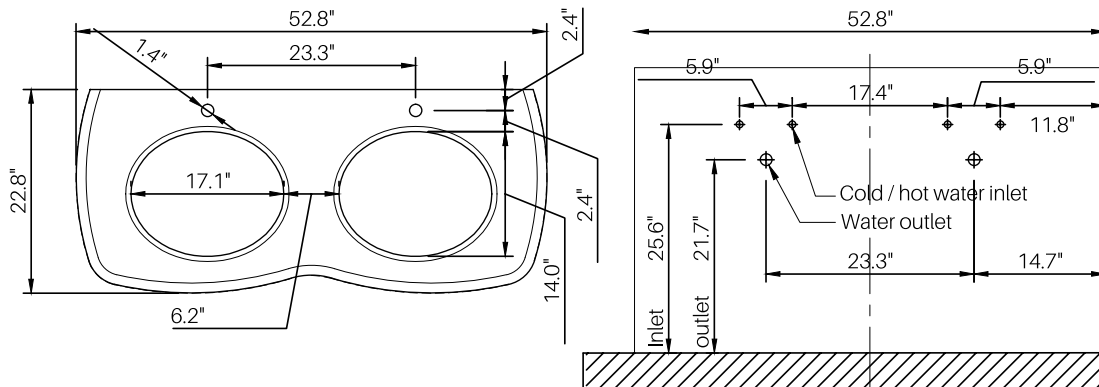
ITEM	SKU	COLOUR	OVERALL DIMENSIONS	N.W.   G.W.
VANITY	Y14VT-WW Y14VT-LGA	Wash White Ash Light Grey Ash	52.5" W x 33.5" H x 22.7" D	20kg 33kg
COUNTERTOP	Y14CT-AWM	Absolute White Marble	52.8" W x 1.5" H x 22.8" D	- -
SINK	Y14-SK	Oval Ceramic Undermount Sink	17.1" W x 14.0" D	- -
MIRROR	Y14MR-WA Y14MR-LGA	Wash White Ash Light Grey Ash	54.1" W x 29.5" H x 4.9" D	- -

**SPECIFICATION SHEET**

**MODEL #Y-14  
ISABELLA COLLECTION**



Side view of cold / hot water inlet and outlet



Elevation view of cold / hot water inlet and outlet  
Plumbing inlets and outlets may vary based on location