

## MODEL #Y-13 ISABELLA COLLECTION

### 32" SINGLE VANITY

#### FEATURES:

- **BASE MATERIAL:** 100% Made of FSC certified select ash wood
- **FINISH:** Coated with an eco-friendly multi-layered varnish low in VOCs for advanced protection against water, stain and mildew
- **OTHER MATERIALS:** Polished stainless steel details
- **DRAWERS:** Full extension push-to-open drawer using Hettich™ hardware and top decorative drawer. Fully finished interiors to match exterior
- **COUNTERTOP:** 1<sup>1/2</sup>" Double edge marble countertop pre-drilled for single hole faucet installation
- **FAUCET TYPE:** Not included
- **SINK:** Large oval undermount ceramic sink with overflow
- **MOUNTING:** Wall mount installation

### 31" MIRROR

#### FEATURES:

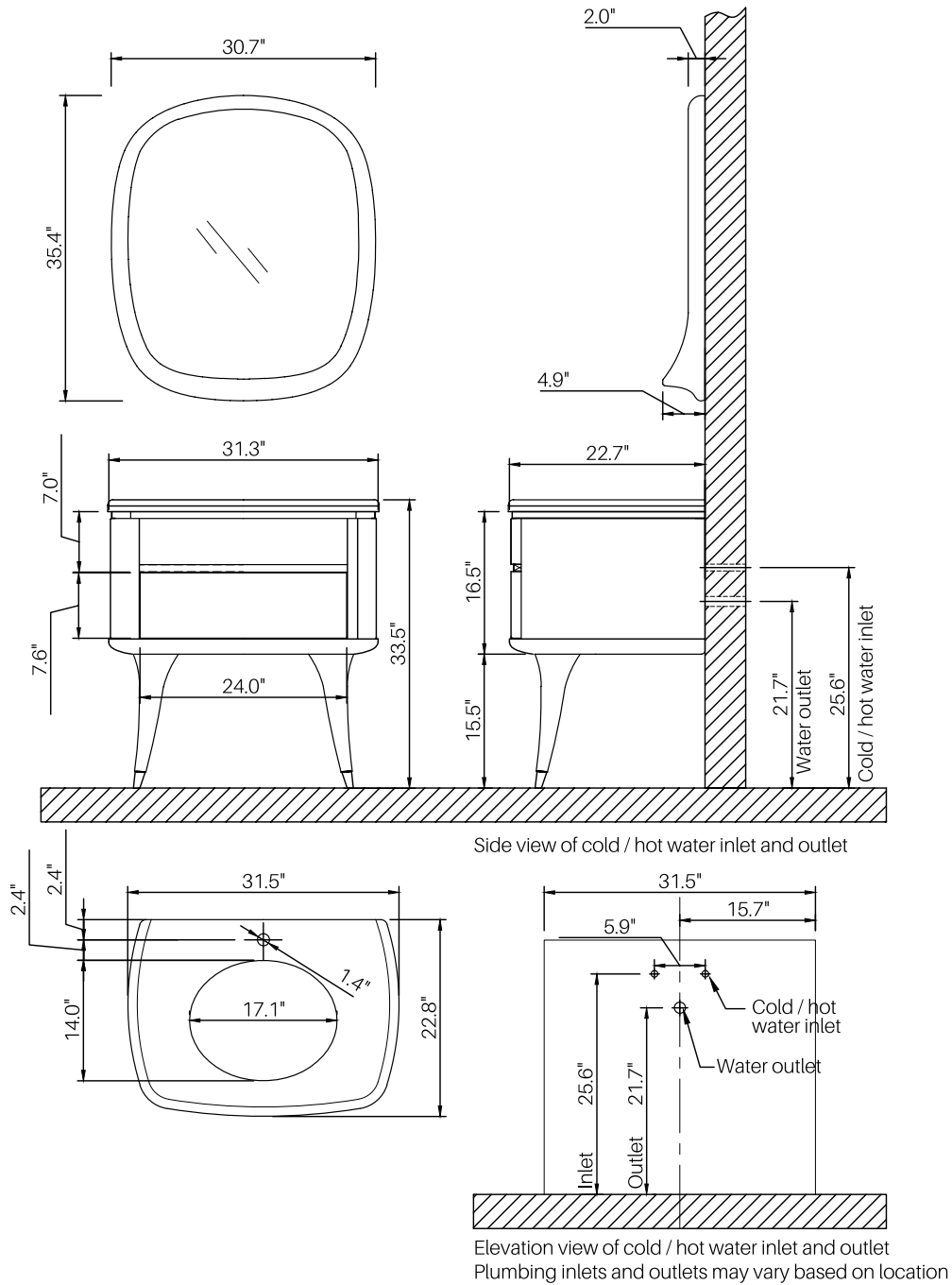
- **BASE MATERIAL:** Beveled edged mirror and 100% FSC certified select ash wood frame carved to include built-in ledge
- **FINISH:** Frame coated with an eco-friendly multi-layered varnish low in VOCs for advanced protection against water, stain and mildew

**WARRANTY:** Two year residential limited warranty to original purchaser. See godibathroom.com for detailed warranty information.

**INSTALLATION NOTES:** Professional installation required according to our installation guide and your local federal, provincial, state and local building codes and regulations.

ITEM	SKU	COLOUR	OVERALL DIMENSIONS	N.W.   G.W.
VANITY	Y13VT-WW Y13VT-LGA	Wash White Ash Light Grey Ash	31.3" W x 33.5" H x 22.7" D	20kg   33kg
COUNTERTOP	Y13CT-AWM	Absolute White Marble	31.5" W x 1.5" H x 22.8" D	30kg   45kg
SINK	Y13-SK	Oval Ceramic Undermount Sink	19.1" W x 13.5" D	7kg   14kg
MIRROR	Y13MR-WA Y13MR-LGA	Wash White Ash Light Grey Ash	30.7" W x 35.4" H x 4.9" D	15kg   24kg

**MODEL #Y-13  
ISABELLA COLLECTION**



Side view of cold / hot water inlet and outlet

Elevation view of cold / hot water inlet and outlet  
Plumbing inlets and outlets may vary based on location