

SPECIFICATION SHEET

MODEL #XZ-31 NOBLE COLLECTION

40" SINGLE VANITY

FEATURES:

- **BASE MATERIAL:** 100% Made of FSC certified select hardwood
- **FINISH:** Coated with an eco-friendly multi-layered varnish low in VOCs for advanced protection against water, stain and mildew
- **HANDLES:** 4 Swarovski spheres with art deco handles
- **DRAWERS:** 2 Full extension soft-close drawers using Hettich hardware. Fully finished interiors to match exterior
- **COUNTERTOP:** 1^{1/2}" Double edge stone countertop with attached backsplash pre-drilled for 8" widespread faucet installation
- **FAUCET TYPE:** Not included
- **SINK:** Large oval undermount ceramic sink with overflow
- **MOUNTING:** Wall mount installation

24" MIRROR

FEATURES:

- **BASE MATERIAL:** 100% Made of FSC certified select hardwood
- **FINISH:** Frame coated with an eco-friendly multi-layered varnish low in VOCs for advanced protection against water, stain and mildew

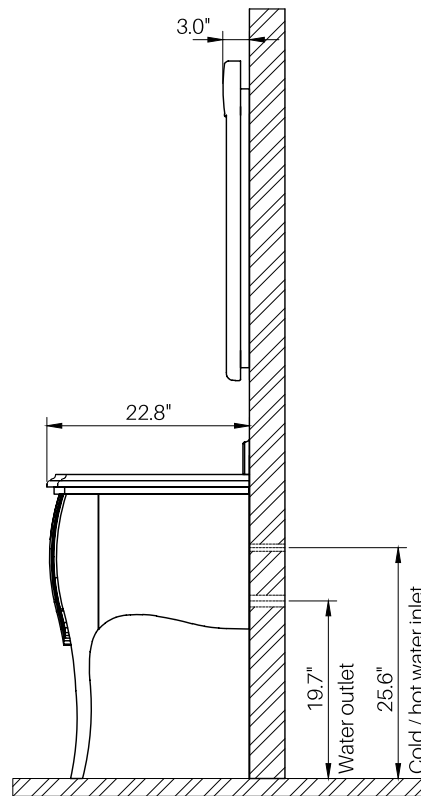
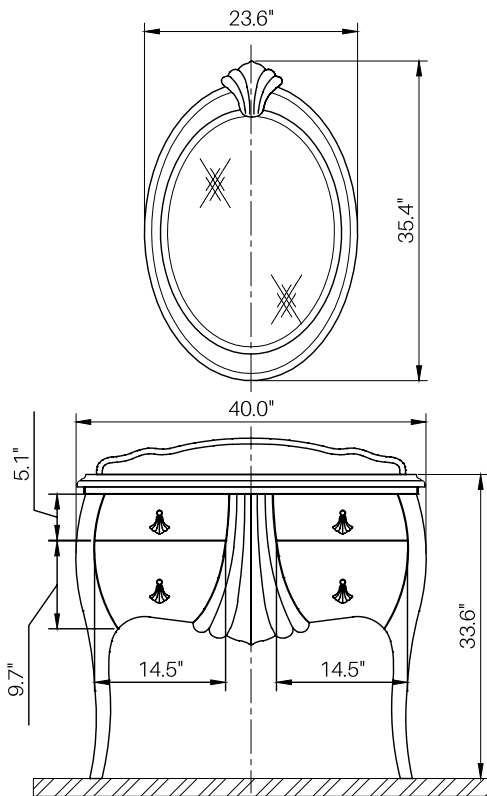
WARRANTY: Two year residential limited warranty to original purchaser. See godibathroom.com for detailed warranty information.

INSTALLATION NOTES: Professional installation required according to our installation guide and your local federal, provincial, state and local building codes and regulations.

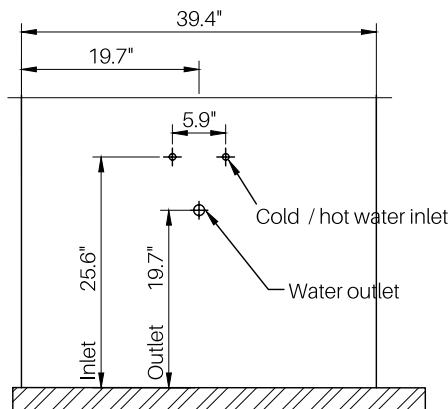
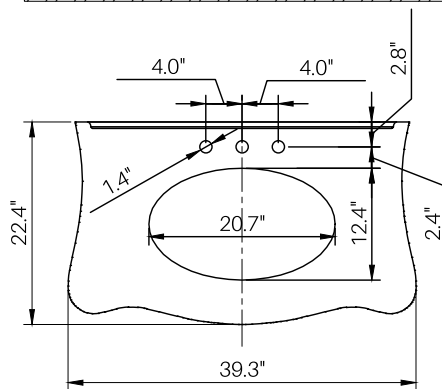
ITEM	SKU	COLOUR	OVERALL DIMENSIONS	N.W. G.W.
VANITY	XZ31VT-PG	Pearl Grey Oak	40.0" W x 33.6" H x 22.8" D	50kg 63kg
COUNTERTOP	XZ31VT-GBQ XZ31VT-NMM	Galala Beige Quartz Nero Marquina Marble	39.3" W x 1.5" H x 22.4" D	23kg 42kg
SINK	XZ31-2520	Oval Ceramic Undermount Sink	20.7" W x 12.4" D	9kg 15kg
MIRROR	XZ31MR-PG	Pearl Grey Oak w/ Silver Tracing	23.6" W x 35.4" H x 3.0" D	10kg 20.5kg

SPECIFICATION SHEET

**MODEL #XZ-31
NOBLE COLLECTION**



Side view of cold / hot water inlet and outlet



Elevation view of cold / hot water inlet and outlet
Plumbing inlets and outlets may vary based on location