

SPECIFICATION SHEET

MODEL #XZ-20 NOBLE COLLECTION

47" SINGLE VANITY

FEATURES:

- **BASE MATERIAL:** 100% Made of FSC certified select hardwood
- **FINISH:** Coated with an eco-friendly multi-layered varnish low in VOCs for advanced protection against water, stain and mildew
- **HANDLES:** Swarovski sphere chrome knobs
- **DRAWERS:** 1 Large and 2 small side drawers with full extension soft-close mechanism using Hettich™ hardware. Fully finished interiors to match exterior
- **COUNTERTOP:** 1 1/2" Double edge stone countertop with attached backsplash pre-drilled for 8" widespread faucet installation
- **FAUCET TYPE:** Not included
- **SINK:** Large oval undermount ceramic sink with overflow
- **MOUNTING:** Wall mount installation

37" WEAVE FRAME MIRROR

FEATURES:

- **BASE MATERIAL:** 100% Made of FSC certified select hardwood
- **FINISH:** Frame coated with an eco-friendly multi-layered varnish low in VOCs for advanced protection against water, stain and mildew

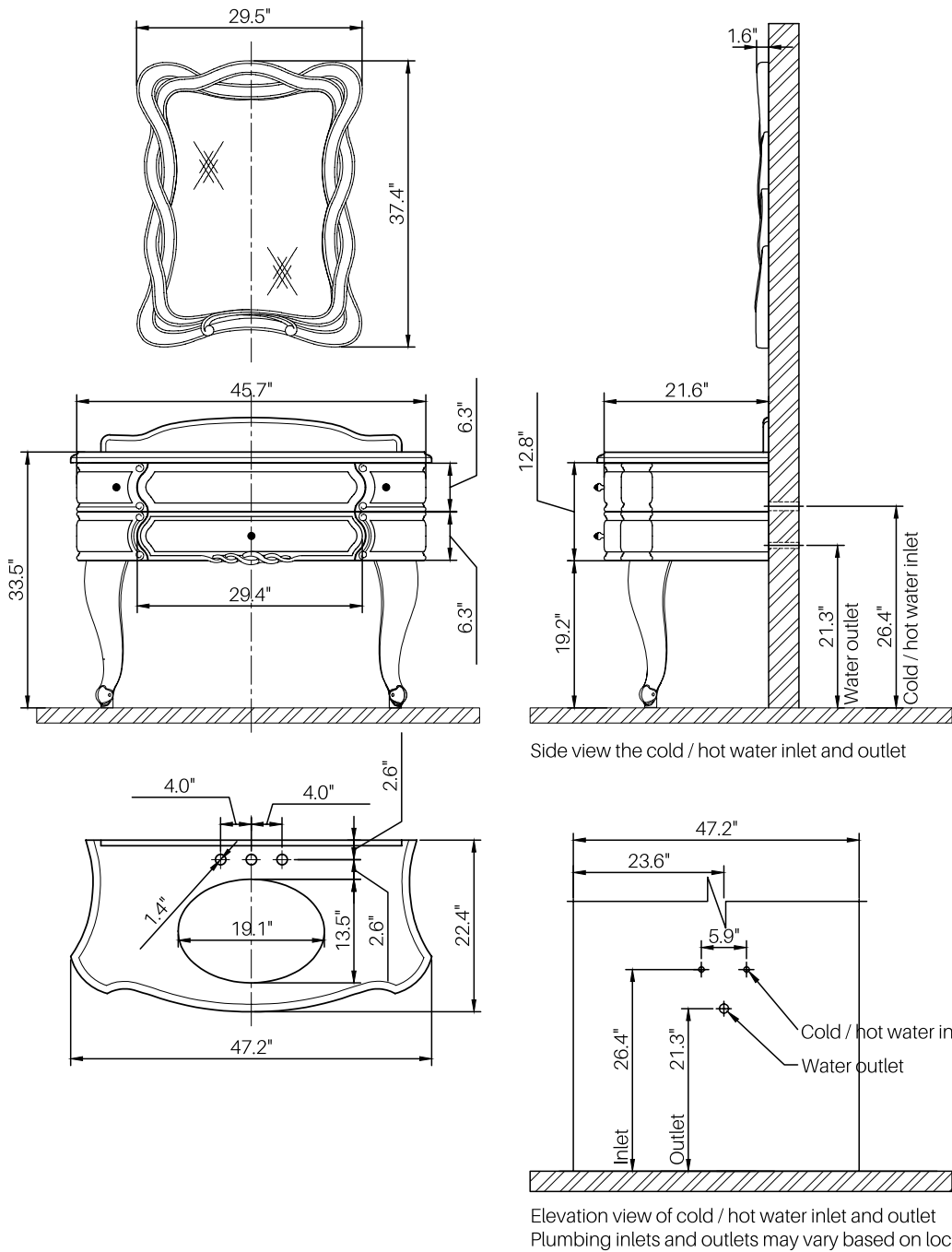
WARRANTY: Two year residential limited warranty to original purchaser. See godibathroom.com for detailed warranty information.

INSTALLATION NOTES: Professional installation required according to our installation guide and your local federal, provincial, state and local building codes and regulations.

ITEM	SKU	COLOUR	OVERALL DIMENSIONS	N.W. G.W.
VANITY	XZ20VT-PG	Pearl Grey Oak	45.7" W x 33.5" H x 21.6" D	38kg 50kg
COUNTERTOP	XZ20VT-SWQ XZ20VT-NMM	Snow White Quartz Nero Marquina Marble	47.2" W x 1.5" H x 22.4" D	26.5kg 46kg
SINK	XZ20-G2807	Oval Ceramic Undermount Sink	19.1" W x 13.5" D	7kg 14kg
MIRROR	XZ20MR-PG	Pearl Grey Oak	29.5" W x 37.4" H x 1.6" D	12kg 21.5kg

SPECIFICATION SHEET

**MODEL #XZ-20
NOBLE COLLECTION**



Side view the cold / hot water inlet and outlet

Elevation view of cold / hot water inlet and outlet
Plumbing inlets and outlets may vary based on location