

**MODEL #US-43 / US-43A  
NORTH AMERICAN COLLECTION**

**35" SINGLE VANITY**

**FEATURES:**

- **BASE MATERIAL:** 100% Made of FSC certified select ash wood
- **FINISH:** Coated with an eco-friendly multi-layered varnish low in VOCs for advanced protection against water, stain and mildew
- **DRAWERS (US-43):** 2 Panel drawer front, full extension push-to-open drawer using Hettich™ hardware and top decorative drawer. Fully finished interiors to match exterior
- **DRAWERS (US-43A):** Single panel drawer front, large full extension push-to-open drawer with additional interior drawer. Fully finished interiors to match exterior
- **COUNTERTOP:** 1 1/2" Double edge marble countertop pre-drilled for 8" widespread faucet installation
- **FAUCET TYPE:** Not included
- **SINK:** 1 Large rectangular undermount ceramic sink with overflow
- **MOUNTING:** Floor standing installation

**32" CIRCULAR MIRROR**

**FEATURES:**

- **BASE MATERIAL:** 100% Made of FSC certified select ash wood
- **FINISH:** Frame coated with an eco-friendly multi-layered varnish low in VOCs for advanced protection against water, stain and mildew

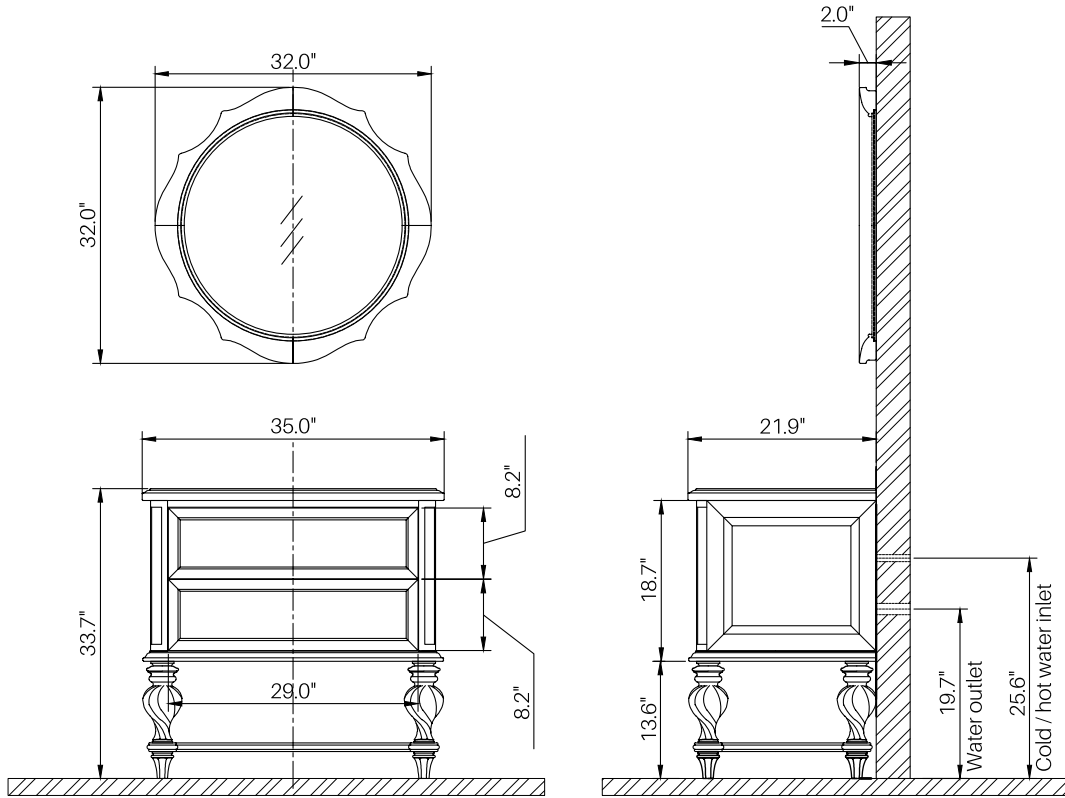
**WARRANTY:** Two year residential limited warranty to original purchaser. See godibathroom.com for detailed warranty information.

**INSTALLATION NOTES:** Professional installation required according to our installation guide and your local federal, provincial, state and local building codes and regulations.

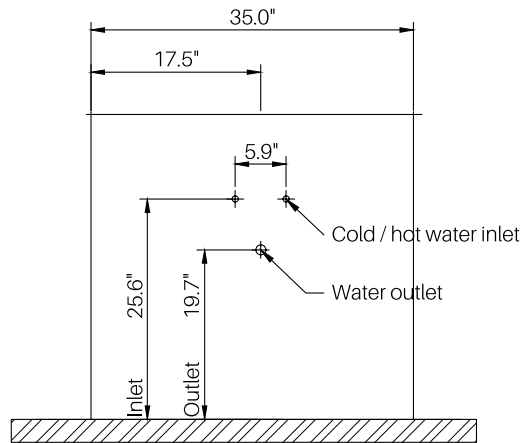
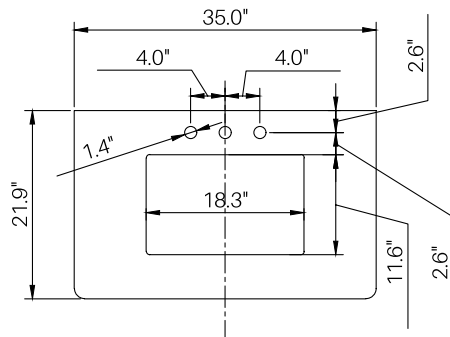
ITEM	SKU	COLOUR	OVERALL DIMENSIONS	N.W.   G.W.
VANITY	US43VT-WA US43VT-TA US43AVT-WA US43AVT-TA	White Ash Teak Ash White Ash Teak Ash	35.0" W x 33.7" H x 21.9" D	38kg   52kg
COUNTERTOP	US43CT-AWM US43CT-NMM US43ACT-AWM US43ACT-NMM	Absolute White Marble Nero Marquina Marble Absolute White Marble Nero Marquina Marble	35.0" W x 1.5" H x 21.9" D	22kg   36kg
SINK	US43-CS	Rectangular Ceramic Undermount Sink	18.3" W x 11.6" D	11kg   18kg
MIRROR	US43MR-WA US43MR-TA US43AMR-WA US43AMR-TA	White Ash Teak Ash White Ash Teak Ash	32.0" W x 32.0" H x 2.0" D	9kg   19kg

**SPECIFICATION SHEET**

**MODEL #US-43  
NORTH AMERICAN COLLECTION**



Side view of cold / hot water inlet and outlet



Elevation view of cold / hot water inlet and outlet  
Plumbing inlets and outlets may vary based on location

**SPECIFICATION SHEET**

**MODEL #US-43A  
NORTH AMERICAN COLLECTION**

