

**MODEL #NS-16  
NOBLE COLLECTION**

**35" SINGLE VANITY**

**FEATURES:**

- **BASE MATERIAL:** 100% Made of FSC certified select hardwood
- **FINISH:** Coated with an eco-friendly multi-layered varnish low in VOCs for advanced protection against water, stain and mildew
- **HANDLES:** Swarovski rectangular handle
- **DRAWERS:** 1 Large full extension soft close drawers using Hettich™ hardware. Fully finished interiors to match exterior
- **COUNTERTOP:** 1 1/2" Double edge stone countertop with attached backsplash pre-drilled for single hole faucet installation
- **FAUCET TYPE:** Not included
- **SINK:** Large oval undermount ceramic sink with overflow
- **MOUNTING:** Floor standing installation

**28" RECTANGULAR MIRROR**

**FEATURES:**

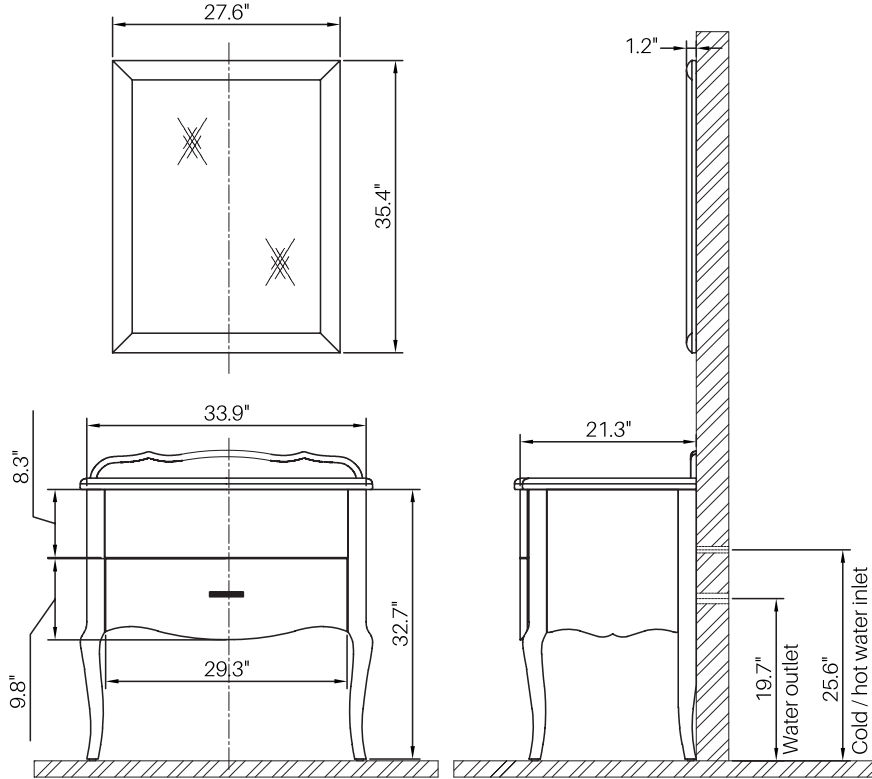
- **BASE MATERIAL:** 100% Made of FSC certified select hardwood
- **FINISH:** Frame coated with an eco-friendly multi-layered varnish low in VOCs for advanced protection against water, stain and mildew

**WARRANTY:** Two year residential limited warranty to original purchaser. See godibathroom.com for detailed warranty information.

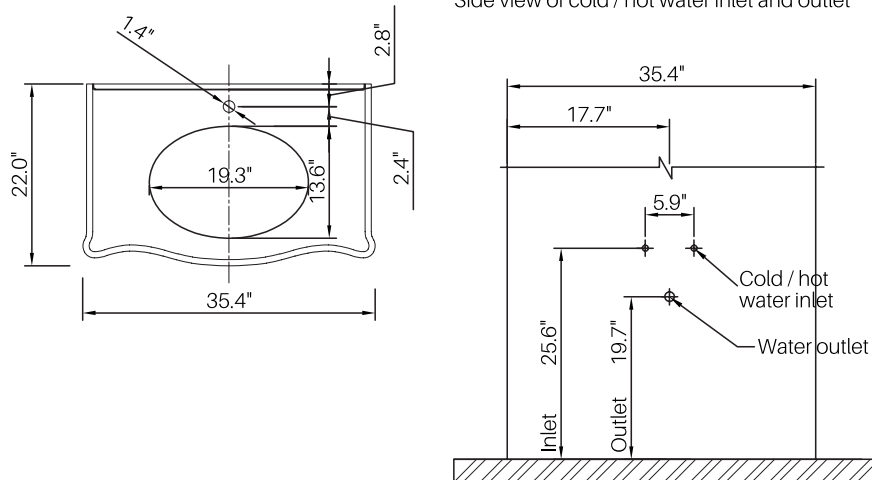
**INSTALLATION NOTES:** Professional installation required according to our installation guide and your local federal, provincial, state and local building codes and regulations.

ITEM	SKU	COLOUR	OVERALL DIMENSIONS	N.W.   G.W.
VANITY	NS16VT-GW	Gloss White	33.9" W x 34.2" H x 21.3" D	34kg   53kg
COUNTERTOP	NS16CT-BGT NS16CT-CWM	Black Granite Carrara White Marble	35.4" W x 1.5" H x 22.0" D	22kg   34kg
SINK	NS16-G188	Oval Ceramic Undermount Sink	19.3" W x 13.6" D	8kg   17kg
MIRROR	NS16MR-GW	Gloss White	27.6" W x 35.4" H x 1.2" D	17kg   26kg

**MODEL #NS-16**  
**NOBLE COLLECTION**



Side view of cold / hot water inlet and outlet



Elevation view of cold / hot water inlet and outlet  
Plumbing inlets and outlets may vary based on location