

MODEL #C-03
ELEGANT COLLECTION

49" SINGLE VANITY

FEATURES:

- **BASE MATERIAL:** 100% Made of FSC certified select hardwood
- **FINISH:** Coated with an eco-friendly multi-layered varnish low in VOCs for advanced protection against water, stain and mildew
- **DRAWERS:** 3 Full extension push-to-open drawers using Hettich™ hardware and top right decorative drawer. Fully finished interiors to match exterior
- **COUNTERTOP:** Crystalized nano glass countertop pre-drilled for single hole installation, faucets not included (C04LVT-NGS) or solid piece of crystalized nano glass, not pre-drilled (C04LVT-NGT)
- **FAUCET TYPE:** Wall-mount or tall vessel faucet (min 10.5" spout reach) required. Not included
- **SINK:** Large rectangular undermount porcelain sink wth countertop option C03RVT-NGS only
- **MOUNTING:** Wall mount installation. Fully pre-cut open back for easy plumbing installation

47" RECTANGULAR MIRROR

FEATURES:

- **BASE MATERIAL:** 100% Made of FSC certified select hardwood and beveled mirror
- **FINISH:** Frame coated with an eco-friendly multi-layered varnish low in VOCs for advanced protection against water, stain and mildew

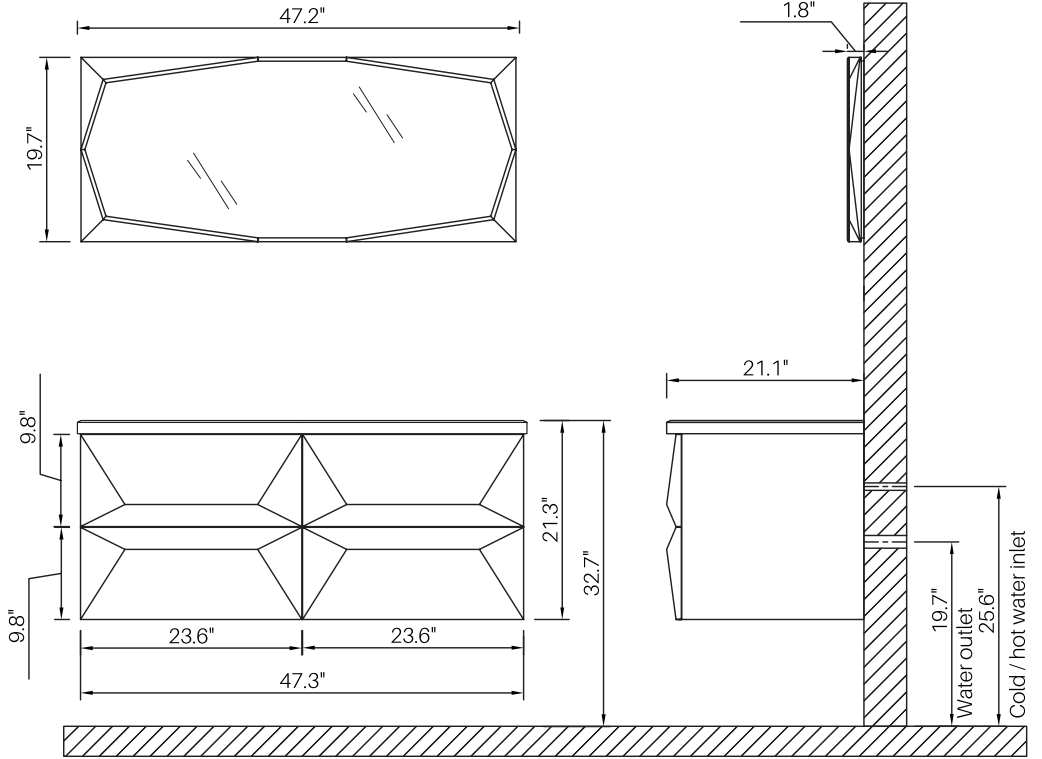
WARRANTY: Two year residential limited warranty to original purchaser. See godibathroom.com for detailed warranty information.

INSTALLATION NOTES: Professional installation required according to our installation guide and your local federal, provincial, state and local building codes and regulations.

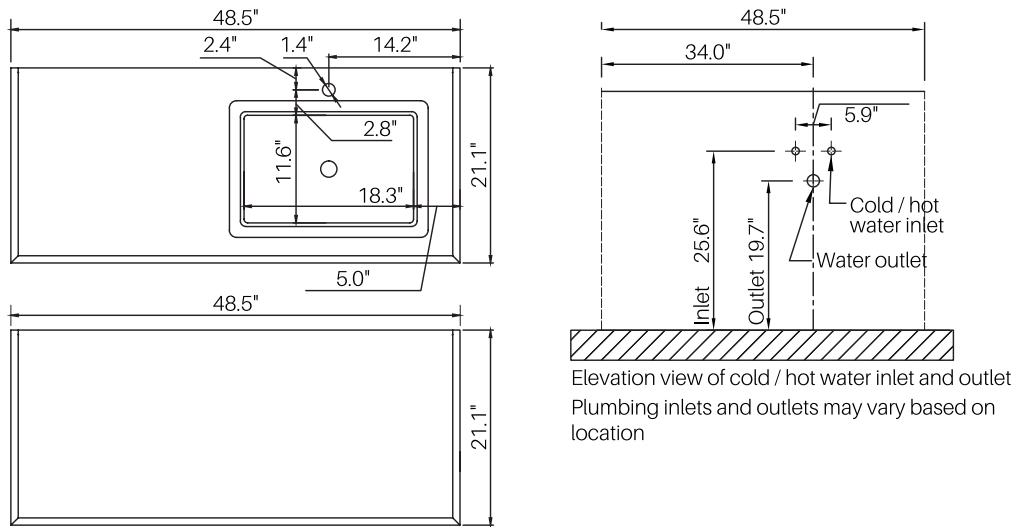
ITEM	SKU	COLOUR	OVERALL DIMENSIONS	N.W. G.W.
VANITY	C03RVT-GW	Gloss White	48.5" W x 21.3" H x 21.1" D	- -
COUNTERTOP	C03RVT-NGS C03RVT-NGT	Nano Glass w/ Undermount Porcelain Sink Nano Glass Solid Top (not pre-drilled)	48.5" W x 3.0" H x 21.1" D	- -
SINK	C03-6839	Rectangular Ceramic Undermount Sink	22.0" W x 13.2" D	- -
MIRROR	C03MR-GW	Gloss White	47.2" W x 19.7" H x 1.8" D	- -

SPECIFICATION SHEET

**MODEL #C-03
ELEGANT COLLECTION**



Side view of cold / hot water inlet and outlet



Elevation view of cold / hot water inlet and outlet
Plumbing inlets and outlets may vary based on location