

# SPECIFICATION SHEET

## MODEL #XZ-02 NOBLE COLLECTION

### 39" SINGLE VANITY

#### FEATURES:

- **BASE MATERIAL:** 100% Made of FSC certified select hardwood
- **FINISH:** Hand-crafted by artisans, overlaid with a rich 24-karat gold or silver leaf and hand finished in a clear lacquer for advanced protection against water, stain and mildew
- **DRAWERS:** Large full extension push-to-open drawer using Hettich™ hardware and top decorative drawer. Fully finished interiors to match exterior
- **COUNTERTOP:** 1 1/2" Double edge stone countertop with attached backsplash pre-drilled for single hole faucet installation
- **FAUCET TYPE:** Not included
- **SINK:** Large oval undermount ceramic sink with overflow
- **MOUNTING:** Wall mount installation

### 34" ORNATE MIRROR

#### FEATURES:

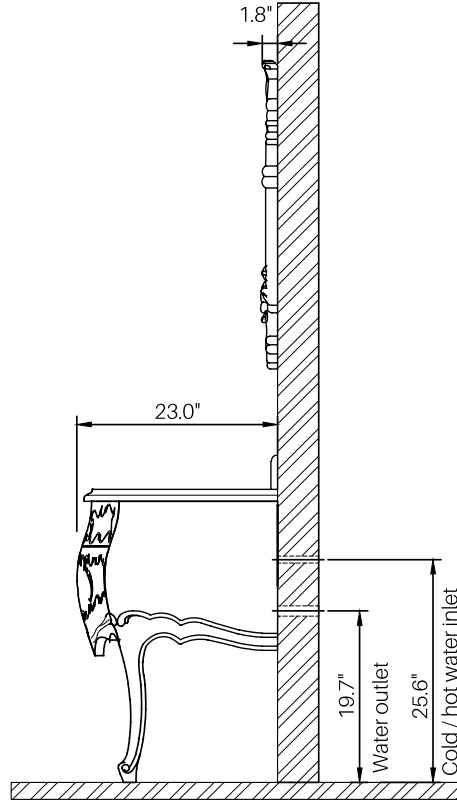
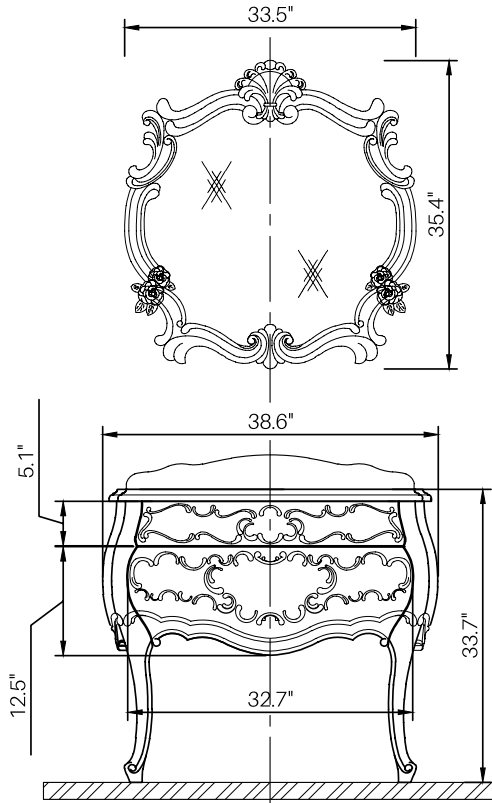
- **BASE MATERIAL:** 100% Made of FSC certified select hardwood
- **FINISH:** Frame coated with an eco-friendly multi-layered varnish low in VOCs for advanced protection against water, stain and mildew

**WARRANTY:** Two year residential limited warranty to original purchaser. See godibathroom.com for detailed warranty information.

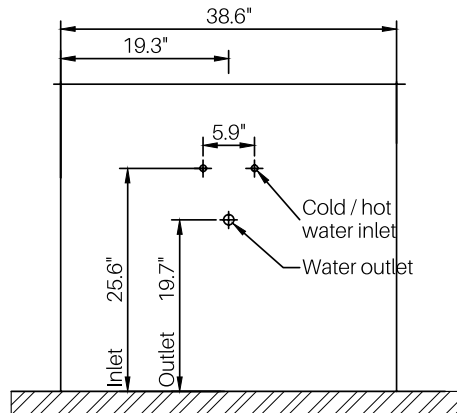
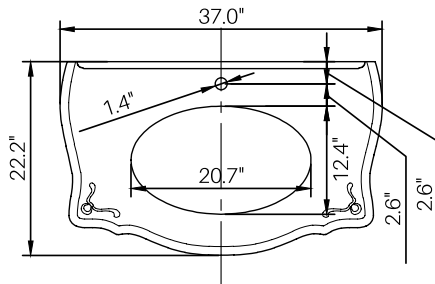
**INSTALLATION NOTES:** Professional installation required according to our installation guide and your local federal, provincial, state and local building codes and regulations.

| ITEM       | SKU  | COLOUR   | OVERALL DIMENSIONS          | N.W.   G.W. |
|------------|--|--|-----------------------------|-------------|
| VANITY     | XZ02VT-CL<br>XZ02VT-SW                               | Champagne Leaf<br>Matte White  | 38.6" W x 33.7" H x 23.0" D | 36kg 50kg   |
| COUNTERTOP | XZ02CT-SJT<br>XZ02CT-SNM<br>XZ02CT-NMM<br>XZ02CT-SWQ | White Jade w/ Swarovski Inlay<br>Nero Marquina w/ Swarovski Inlay<br>Nero Marquina Marble<br>Snow White Quartz | 37.0" W x 1.5" H x 22.2" D  | 11kg 22kg   |
| SINK       | XZ02-2520  | Oval Ceramic Semi-recessed Sink  | 20.7" W x 12.4" D           | 9kg 15kg    |
| MIRROR     | XZ02MR-CL<br>XZ02MR-SW                               | Champagne Leaf<br>Matte White  | 33.5" W x 35.4" H x 1.8" D  | 11kg 22kg   |

**MODEL #XZ-02  
NOBLE COLLECTION**



Side view of cold / hot water inlet and outlet



Elevation view of cold / hot water inlet and outlet  
Plumbing inlets and outlets may vary based on location