

SPECIFICATION SHEET

MODEL #NS-09 NOBLE COLLECTION

38" SINGLE VANITY

FEATURES:

- **BASE MATERIAL:** 100% Made of FSC certified select hardwood
- **FINISH:** Coated with an eco-friendly multi-layered varnish low in VOCs for advanced protection against water, stain and mildew
- **HANDLES:** Brushed chrome French style handles | Custom handle options available upon request
- **DRAWERS:** 2 full extension soft-close drawers using Hettich™ hardware. Fully finished interiors to match exterior
- **COUNTERTOP:** 1^{1/2}" Double edge stone countertop with attached backsplash pre-drilled for 8" widespread installation
- **FAUCET TYPE:** Not included
- **SINK:** Large oval undermount ceramic sink with overflow
- **MOUNTING:** Floor standing installation

32" MIRROR

FEATURES:

- **BASE MATERIAL:** 100% Made of FSC certified select hardwood
- **FINISH:** Frame coated with an eco-friendly multi-layered varnish low in VOCs for advanced protection against water, stain and mildew

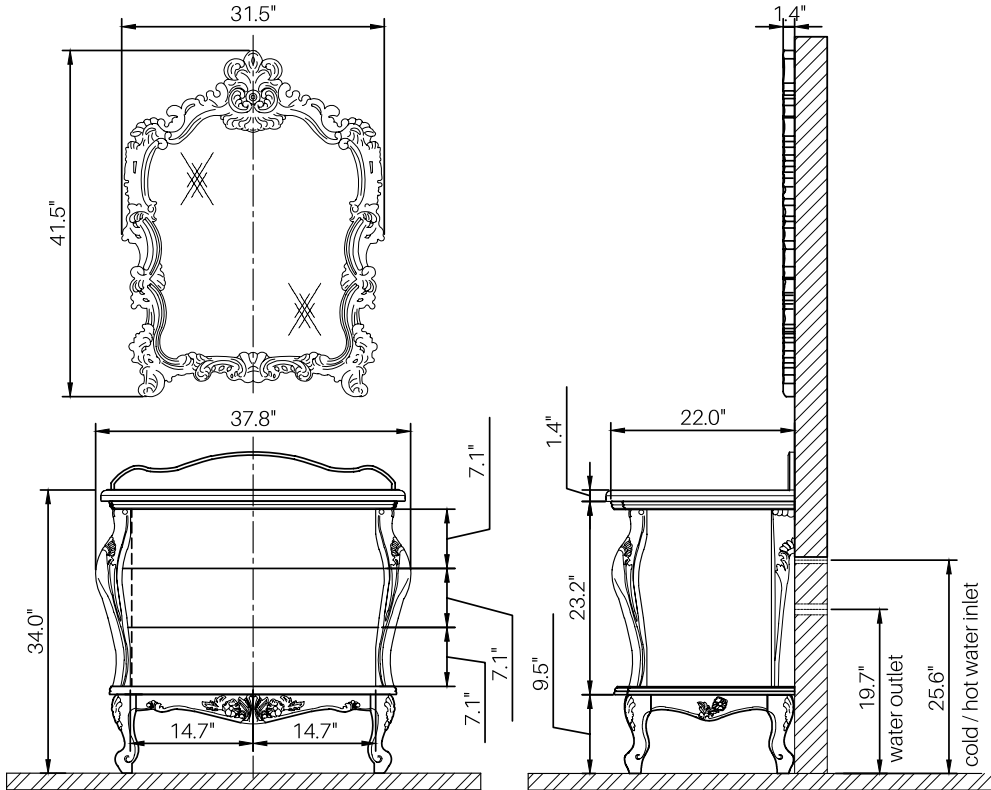
WARRANTY: Two year residential limited warranty to original purchaser. See godibathroom.com for detailed warranty information.

INSTALLATION NOTES: Professional installation required according to our installation guide and your local federal, provincial, state and local building codes and regulations.

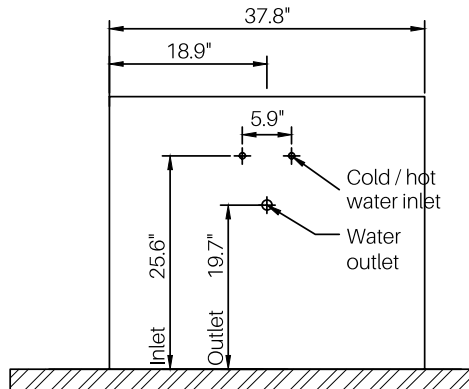
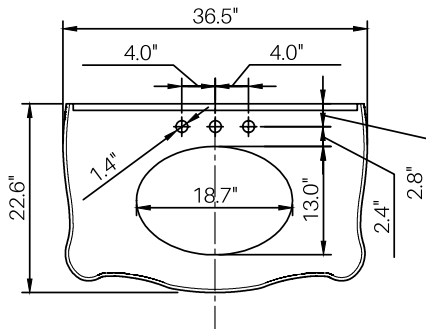
ITEM	SKU	COLOUR	OVERALL DIMENSIONS	N.W. G.W.
VANITY	NS09VT-AW	Antique White	37.8" W x 34.0" H x 22.0" D	51kg 62.5kg
COUNTERTOP	NS09CT-WMT NS09CT-CNM	Arabescato White Marble Crema Nuovo Marble	36.5" W x 1.5" H x 22.6" D	25kg 41kg
SINK	NS09-G28022	Ceramic Undermount Sink	18.7" W x 13.0" D	8kg 17kg
MIRROR	NS09MR-AW	Antique White	31.5" W x 41.5" H x 1.4" D	12kg 16kg

SPECIFICATION SHEET

**MODEL #NS-09
NOBLE COLLECTION**



Side view of cold/hot water inlet and outlet



Elevation view of cold / hot water inlet and outlet
Plumbing inlets and outlets may vary based on location